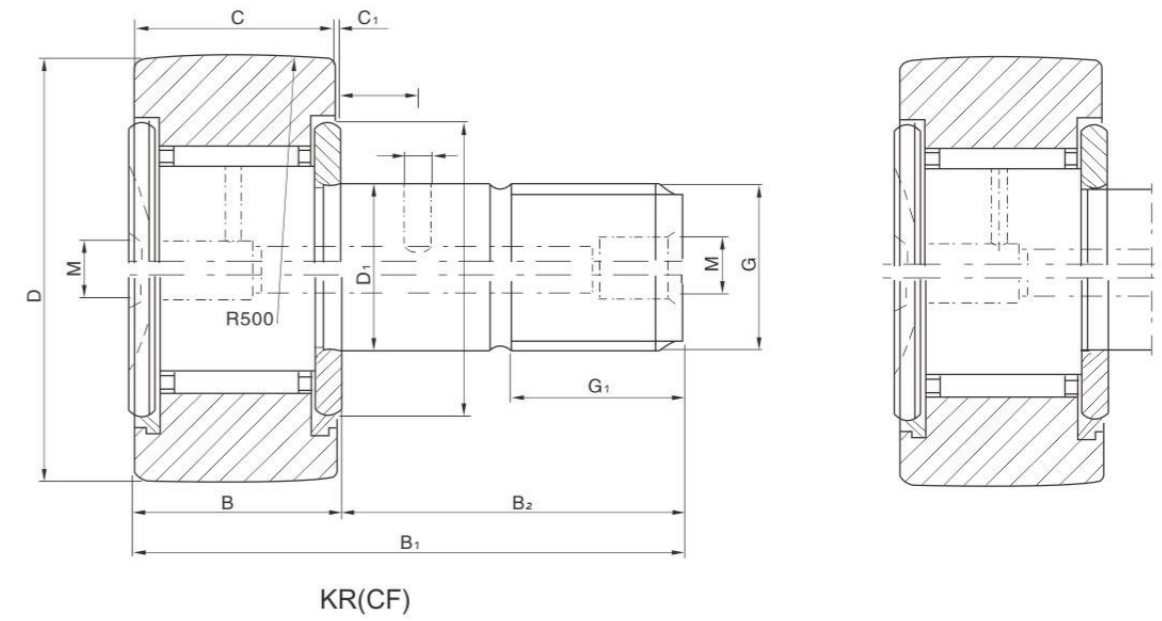


KR KRV



KR(CF)



KR(CF)

轴承型号 Designation	尺寸 Main dimensions (mm)											
	D*	C	D ₁	D ₁	G ₁	B max	B ₁ max	B ₂	B ₃	C ₁	rs min	
KR13	KRV13	13	9	5	M5×0.8	7	10	23	13		0.5	0.3
KR16	KRV16	16	11	6	M6×1	8	12.2	28.2	16		0.6	0.3
KR19	KRV19	19	11	8	M8×1.25	10	12.2	32.2	20		0.6	0.3
KR22	KRV22	22	12	10	M10×1.25	12	13.2	36.2	23		0.6	0.3
KR26	KRV26	26	12	10	M10×1.25	12	13.2	36.2	23		0.6	0.3
KR30	KRV30	30	14	12	M12×1.5	13	15.2	40.2	25	6	0.6	0.6
KR32	KRV32	32	14	12	M12×1.5	13	15.2	40.2	25	6	0.6	0.6
KR35	KRV35	35	18	16	M16×1.5	17	19.6	52.1	32.5	8	0.8	0.6
KR40	KRV40	40	20	18	M18×1.5	19	21.6	58.2	36.5	8	0.8	1
KR47	KRV47	47	24	20	M20×1.5	21	25.6	66.1	40.5	9	0.8	1
KR52	KRV52	52	24	20	M20×1.5	21	25.6	66.1	40.5	9	0.8	1
KR62	KRV62	62	29	24	M24×1.5	25	30.6	80.1	49.5	11	0.8	1
KR72	KRV72	72	29	24	M24×1.5	25	30.6	80.1	49.5	11	0.8	1
KR80	KRV80	80	35	30	M30×1.5	32	37	100	63	15	1	1
KR85	KRV85	85	35	30	M30×1.5	32	37	100	63	15	1	1
KR90	KRV90	90	35	30	M30×1.5	32	37	100	63	15	1	1

注：

- KR,KRV 系列型轴承带偏心套，则型号为 KRE,KRVE。
- when bearing of series KR , KRV with eccentric , then designation of bearing KRE,KRVE.

偏心量 Eccentric (e)	额定负荷 Basic load rating		极限转速 Limits of speed (rpm)	重量 Mass (g)	WERB 旧代号 WERB old designation		IKO型号 Designation
	动负荷 Dynamic C	静负荷 Static C ₀					
0.25	280	180	29000	16	NAKD13	NAKD13V	CF5
0.25	270	170	25000	18	NAKD16	NAKD16V	CF6
0.25	300	210	20000	28	NAKD19	NAKD19V	CF8
0.3	410	320	17000	44	NAKD22	NAKD22V	CF10
0.3	410	320	17000	58	NAKD26	NAKD26V	CF10-1
0.3	590	450	14000	87	NAKD30	NAKD30V	CF12
0.3	590	450	14000	90	NAKD32	NAKD32V	CF12-1
0.35	850	760	10000	169	NAKD35	NAKD35V	CF16
0.35	1180	1220	8500	247	NAKD40	NAKD40V	CF18
0.35	1630	1690	7000	386	NAKD47	NAKD47V	CF20
0.35	1630	1690	7000	461	NAKD52	NAKD52V	CF20-1
0.4	2160	2210	6500	790	NAKD62	NAKD62V	CF24
0.4	2160	2210	6500	1040	NAKD72	NAKD72V	CF24-1
0.5	2830	3700	5000	1550	NAKD80	NAKD80V	CF30
0.5	2830	3700	5000	1740	NAKD85	NAKD85V	CF30-1
0.5	2830	3700	5000	1950	NAKD90	NAKD90V	CF30-2

注：

- *外表面可为圆柱面或球面。** 倒角尺寸极限由产品设计决定。
- *outersurface can be cylinder or spherical.**Limits of chamfer depend on the design.