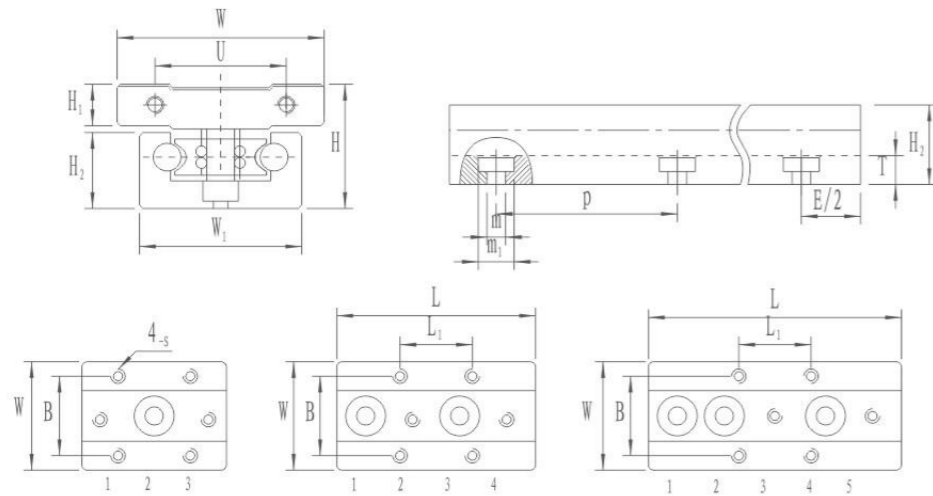


SGR SGB



SG		全套		导轨 SGR										滑座 SGB										重量 (gf/m)			
SGR	SGB	H	W	W1	H2	dp	P	轴	重量 (kg/m)	T	m1	m	W	H1	L	B	L1	S	滑轮 数量	偏心 轮 位置	基本动力 安全负荷		动力矩 (N.m)				
																				Yo	Zo						
15N	-3														60					490	2	490	460	10.2	9.2	9.8	110
15N	-4	32	38	38	18.5	6	120	6	1.651	8	8	4.5	44	12	80	26	26	M5	700	1,3	700	660	14.5	13.2	14	145	
15N	-5													100					980	1,1,4	980	920	20.3	37	39	185	
15	-3													52					490	2	490	460	13.8	74	7.8	105	
15	-4	32	46	46	18.5	6	120	6	1.784	8	8	4.5	46	12	72	32	36	M5	700	1,3	700	660	19.8	21.1	22.4	140	
15	-5													84					980	1,1,4	980	920	27.4	44.3	47	170	
20N	-3													80					700	2	700	980	29.4	25.4	18.2	195	
20N	-4	36	47	47	22.5	6	120	6	2.247	9	9.5	5.5	47	12	103	38	30	M6	1000	1,3	1000	1400	42	72.8	52	265	
20N	-5													132					1400	1,1,4	1400	1960	84.2	129	92.4	350	
20	-3													72					700	2	700	980	42.1	21.5	15.4	210	
20	-4	36	60	60	22.5	6	120	8	2.247	9	9.5	5.5	60	12	100	50	40	M6	1000	1,3	1000	1400	60.2	61.6	44	280	
20	-5													116					1400	1,1,4	1400	1960	84.2	129	92.4	350	
25	-3													100					1260	2	1260	1470	67.62	48.51	41.58	460	
25	-4	44	69	69	26	7	120	10	3.873	10	11	6.5	70	16.3	133	57	45	M8	1800	1,3	1800	2100	96.6	138.6	118.8	615	
25	-5													166					2520	1,1,4	2520	2940	135	291.06	249.48	775	
35	-3													140					2800	2	2800	2800	159.6	126	128	1100	
35	-4	45	90	90	35	8.5	160	12	6.442	12	14	8.5	100	18	185	82	62	M10	4000	1,3	4000	4000	228	360	360	1450	
35	-5													230					5600	1,1,4	5600	5600	319.2	758	756	1835	

LIN塑料直线轴承 LIN Plastic Linear Bearings



LIN塑料直线轴承 LIN Plastic Linear Bearings

Plastic Linear Bearings



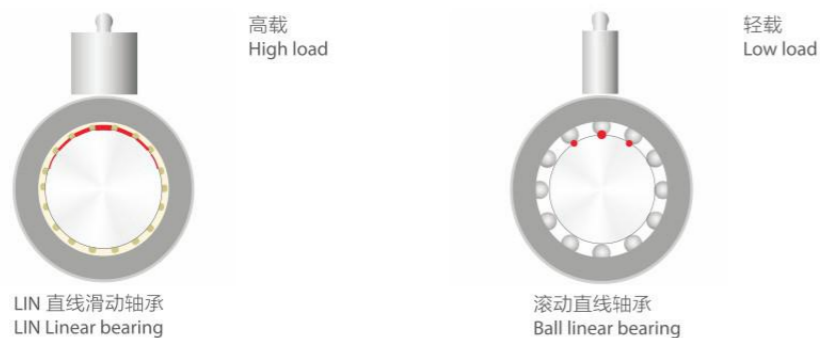
产品特性 Product Features

- 自润滑免维护塑料直线轴承。无噪音运行。适合在极其恶劣的粉尘环境中连续使用。允许被食品药品包装机械清洗液清洗。对轴材料硬度以及安装孔的精度要求较低。
- 免维护、长期干运行、无噪音；
- 适合灰尘中长期运行；
- 耐腐蚀，适合用消毒液清洗；
- 斜槽设计更强的对轴保护能力；
- 减小了槽宽以增强承载能力；
- 安装和替换简易；
- 适合轻量化设计。
- Maintenance free plastic linear bearing. Low noise operation is suitable for continuously application under the critical dusty environment. It is washable by the clean detergent of the food machine. There is no critical requirement about the shaft hardness or the mounting holes of the housing;
- Maintenance-free, Drying working, noiseless;
- Suitable for long-time running in dusty environment;
- Corrosion resistance; Cleaning with disinfectant lotion;
- Inclined groove designation provides better protection to the shaft;
- Narrowed groove improves the load capacity;
- Easy installation and replacement;
- Suitable for lightweight design.

LIN 直线轴承高承载能力 LIN series bearing with high loading capability

LIN 直线轴承作为一种直线滑动轴承，工作面是以面形式与轴表面接触，而转动的滚珠直线轴承是以点线的形式和轴表面接触；这就决定了较大接触面的 LIN 系列直线轴承具有比滚珠直线轴承更高的承载能力。

As a linear sliding bearings, the contacting of the bearing and the shaft is a surface instead of point contact of the traditional ball bearings. So it results in that the surface contacting LIN series linear sliding bearings are with better loading capability than the sliding ball bearings.



LIN塑料直线轴承 LIN Plastic Linear Bearings

Plastic Linear Bearings

LIN 直线轴承在污垢，灰尘中干运行 LIN series linear sliding bearing used in critical of containments and dusts



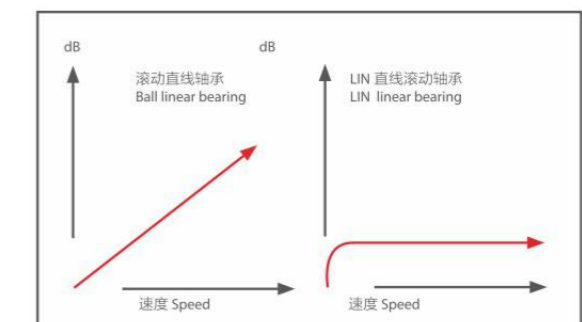
LIN 直线轴承滑动膜是专门为干运行而开发的高性能材料；特殊的专利结构设计允许轴承在污垢、灰尘或沙粒中平稳运行，螺旋式结构设计能使得脏物很快速的落入到设计的凹槽中，并通过不断的直线运动最终被从凹槽中帶出直线轴承系统。而传统的金属滚动直线轴承在有污垢、灰尘或沙粒存在的情况下会很容易出现卡死、跑珠等现象而卡死，甚至会因卡死现象导致轴被拉伤。

LIN series sliding membrane is an excellent material specially designed for dry operation. The patented designation of this material allows the bearing to be used in the critical conditions such as in containments and dusts. The spiral groove designation allows the containments or dusts entering the grooves and be brought out of the bearing system finally while the traditional sliding ball bearings will be blocked by the entered containments and therefore cause the breakout of the bearing system causing shaft or bearing damages.

LIN 直线轴承在污垢，灰尘中干运行 LIN series linear sliding bearing operation with low noise

金属滚珠直线轴承由于滚珠在运动过程中与保持架体之间的撞击所发出的噪音，而且这种噪音会随着速度的加快而增高。但 LIN 直线轴承的工作面为滑动摩擦设计，所以在运行过程中只能发出较低的摩擦声，运行噪音非常低。

Metal ball sliding bearings generates high noise by the crashing of balls to the shafts during the operation and the noise will be sharply increased when the operation speed goes higher while the LIN series linear sliding bearings are with the surface contacting structure which ensures a lower operation noise level.



■ 噪音曲线对比图 Comparison of noise development

LIN 直线轴承允许经常接触清洗液 LIN series linear sliding bearing allows the access of cleaning solution

LIN 直线轴承被经常用于食品包装机械的导向机构中，经常受到清洗液的冲刷；多年的使用证明 LIN 直线轴承正如所设计的那样足够抵抗各类碱性清洗液的腐蚀，甚至能整体浸泡在液体介质中运行。

LIN塑料直线轴承 LIN Plastic Linear Bearings

滑动膜性能数据表 Sliding Membrane Material Data Sheets

一般性能 Common Capabilty	试验方法 Testing Method	单位 Unit	LIN
密度 Density	ISO1183	g/cm ³	1.48
颜色 Color			黄色 Yellow
对钢的动摩擦系数 Dynamic friction/steel(dry)			0.05-0.15
最大 PV 值 Max.PV (dry)		n/mm ² × m/s	0.4
最大旋转速度值 Max. rotating velocity		m/s	1.5
最大摇摆速度值 Max. oscillating velocity		m/s	1.1
最大直线速度值 Max. linear velocity		m/s	8.0
抗拉强度 Tensile strength	ISO527	MPa	75
抗压强度 (轴向) Compressive strength(Axial)		MPa	60
弹性模量 E-module	ISO527	MPa	2400
允许最大表面静压力 (20℃) Max. static pressure of the surface, 20℃		MPa	35
洛氏硬度 Rockwell hardness	ISO2039-2	HRR	107
连续工作温度 continuous work temperature		℃	-50/90
短时运行温度 Short-time		℃	-50/120
导热性 Thermal conductivity	ASTME1461	W/m k	0.25
线性热膨胀系数 Linear coef. of thermal expansion	ASTMD696	K ⁻¹ × 10 ⁻⁵	9
RH50/23℃时的吸湿性 Moisture absorption RH50/23℃	ASTMD570	%	0.3
燃烧性能 Flammability	UL94		HB
体电阻率 Volume resistivity	IEC60093	Ω cm	> 10 ¹³
面电阻率 Surface resistivity	IEC60093	Ω	> 10 ¹²

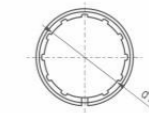
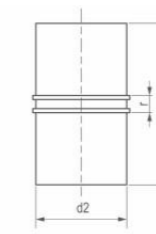
LIN 直线轴承承载能力 LIN Load Capacity

滑动膜材料: LIN
Sliding membrane material: LIN

公称内径 Inside nominal diameter	最大许动载荷 Dynamic Load P=5MPa		最大许动载荷 Max. Static Load P=35MPa	
	LIN-01 滑动膜系列 LIN-01 series of sliding membranes	LIN-02 滑动膜系列 LIN-02 series of sliding membranes	LIN-01 滑动膜系列 LIN-01 series of sliding membranes	LIN-02 滑动膜系列 LIN-02 series of sliding membranes
10	870N	780N	6090N	5460N
12	1152N	1008N	8064N	7056N
16	1728N	1440N	12096N	10080N
20	2700N	1800N	18900N	12600N
25	4350N	3000N	30650N	21000N
30	6120N	4500N	42840N	31500N
40	9600N	7200N	67200N	50400N
50	15000N	10500N	105000N	73500N

LIN塑料直线轴承 LIN Plastic Linear Bearings

LIN-01 系列滑动膜 LIN-01 Series of Sliding Membranes

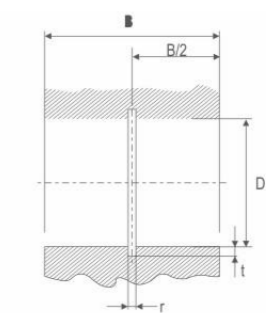


座孔 Housing: H7 轴 Shaft: h6-h9

订购编码 Order P/N	d1 mm ²	公差 Tolerance mm ²	d2 mm ²	b1 mm ²	r(-0.1/-0.2) mm ²	重量 Weight g
LIN-01-10	10	+0.030/-0.070	12	29	3.0	1.3
LIN-01-12	12	+0.030/-0.070	14	31	3.0	1.6
LIN-01-16	16	+0.030/-0.070	18	35	3.5	2.2
LIN-01-20	20	+0.030/-0.070	23	44	5.0	5.0
LIN-01-25	25	+0.030/-0.070	28	57	5.0	8.0
LIN-01-30	30	+0.040/-0.085	34	67	5.0	15.1
LIN-01-40	40	+0.040/-0.085	44	79	6.0	25.6
LIN-01-50	50	+0.040/-0.085	55	99	7.0	50.6

装配尺寸 Installation size

订购编码 Order P/N	轴径 Shaft mm ²	D mm ² h7	B mm ² h10	r mm ²	t mm ²
LIN-01-10	10	12	29	3.0	1.0
LIN-01-12	12	14	32	3.0	1.0
LIN-01-16	16	18	36	3.5	1.0
LIN-01-20	20	23	45	5.0	1.0
LIN-01-25	25	28	58	5.0	1.0
LIN-01-30	30	34	68	5.0	1.0
LIN-01-40	40	44	80	6.0	1.5
LIN-01-50	50	55	100	7.0	1.5



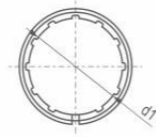
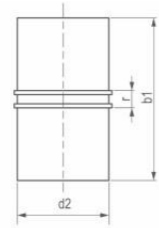
配合 LIN-01 系列滑动膜产品系列: Membranes of the LIN-01 Series are used in:



订购编码 Order P/N:
LIN-01-10
内径 Inner diameter
标准开口系列 01K
Standard split type 01K

LIN塑料直线轴承 LIN Plastic Linear Bearings

LIN-02 系列滑动膜 LIN-02 Series of Sliding Membranes

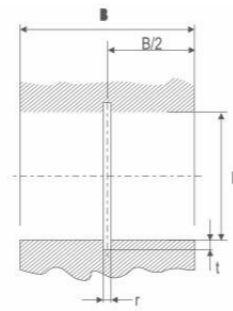


座孔 Housing:H7 轴 Shaft:h6-h9

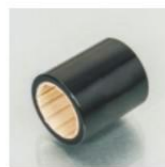
订购编码 Order P/N	d1 mm ²	公差 Tolerance mm ²	d2 mm ²	b1 mm ²	r(-0.1/-0.2) mm ²	重量 Weight g
LIN-02-10	10	+0.030/-0.070	12	25	3.0	1.1
LIN-02-12	12	+0.030/-0.070	14	27	3.0	1.4
LIN-02-16	16	+0.030/-0.070	18	29	3.5	1.9
LIN-02-20	20	+0.030/-0.070	23	29	5.0	3.3
LIN-02-25	25	+0.030/-0.070	28	39	5.0	5.5
LIN-02-30	30	+0.040/-0.085	34	49	5.0	11.1
LIN-02-40	40	+0.040/-0.085	44	59	6.0	19.0
LIN-02-50	50	+0.050/-0.100	55	69	7.0	35.3

装配尺寸 Installation size

订购编码 Order P/N	轴径 Shaft mm ²	D mm ² h7	B mm ² h10	r mm ²	t mm ²
LIN-02-10	10	12	26	3.0	1.0
LIN-02-12	12	14	28	3.0	1.0
LIN-02-16	16	18	30	3.5	1.0
LIN-02-20	20	23	30	5.0	1.0
LIN-02-25	25	28	40	5.0	1.0
LIN-02-30	30	34	50	5.0	1.0
LIN-02-40	40	44	60	6.0	1.5
LIN-02-50	50	55	70	7.0	1.5



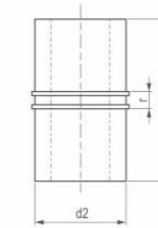
配合 LIN-02 系列滑动膜产品系列:
Membranes of the LIN-02 Series are used in:



订购编码 Order P/N:
LIN-02-10
内径 Inner diameter
标准开口系列 02
Standard series02

LIN塑料直线轴承 LIN Plastic Linear Bearings

LIN-01K 系列滑动膜 LIN-01K Series of Sliding Membranes

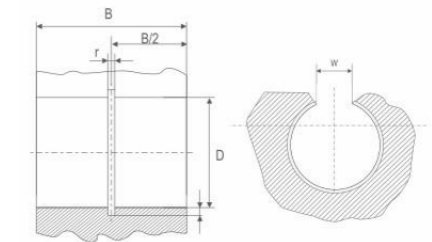


座孔 Housing:H7 轴 Shaft:h6-h9

订购编码 Order P/N	d1 mm ²	公差 Tolerance mm ²	d2 mm ²	b1 mm ²	W+0.2 mm ²	r(-0.1/-0.2) mm ²	重量 Weight g
LIN-01K-10	10	+0.030/-0.070	12	29	7.3	3.0	1.0
LIN-01K-12	12	+0.030/-0.070	14	31	9.0	3.0	1.3
LIN-01K-16	16	+0.030/-0.070	18	35	11.6	3.5	1.9
LIN-01K-20	20	+0.030/-0.070	23	44	12.0	5.0	4.5
LIN-01K-25	25	+0.030/-0.070	28	57	14.5	5.0	7.5
LIN-01K-30	30	+0.040/-0.085	34	67	16.6	5.0	14.5
LIN-01K-40	40	+0.040/-0.085	44	79	21.0	6.0	24.5
LIN-01K-50	50	+0.050/-0.100	55	99	25.5	7.0	49.0

装配尺寸 Installation size

订购编码 Order P/N	轴径 Shaft mm ²	D mm ² h7	B mm ² h10	r mm ²	t mm ²
LIN-01K-10	10	12	29	3.0	2.6
LIN-01K-12	12	14	32	3.0	3.1
LIN-01K-16	16	18	36	3.5	3.6
LIN-01K-20	20	23	45	5.0	3.6
LIN-01K-25	25	28	58	5.0	4.1
LIN-01K-30	30	34	68	5.0	1.1
LIN-01K-40	40	44	80	6.0	5.1
LIN-01K-50	50	55	100	7.0	6.1



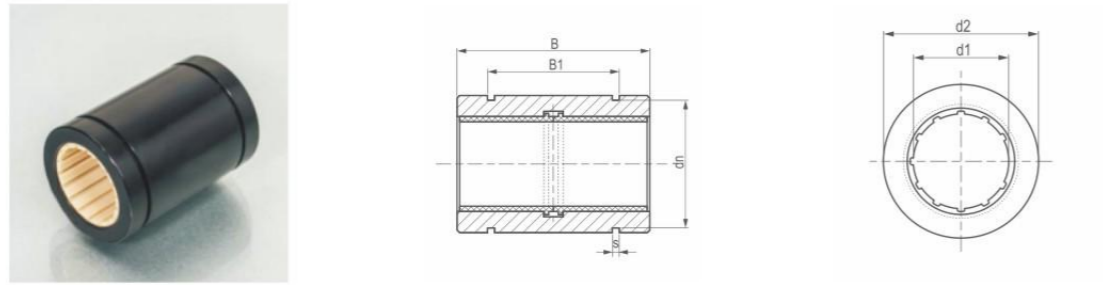
配合 LIN-01K 系列滑动膜产品系列:
Membranes of the LIN-01K Series are used in:



订购编码 Order P/N:
LIN-01K-10
内径 Inner diameter
标准开口系列 01K
Standard split type 01K

LIN塑料直线轴承 LIN Plastic Linear Bearings

LIN-01R 系列滑动膜 LIN-01R Linear Bearings



座孔 Housing:H7 轴 Shaft:h6-h9

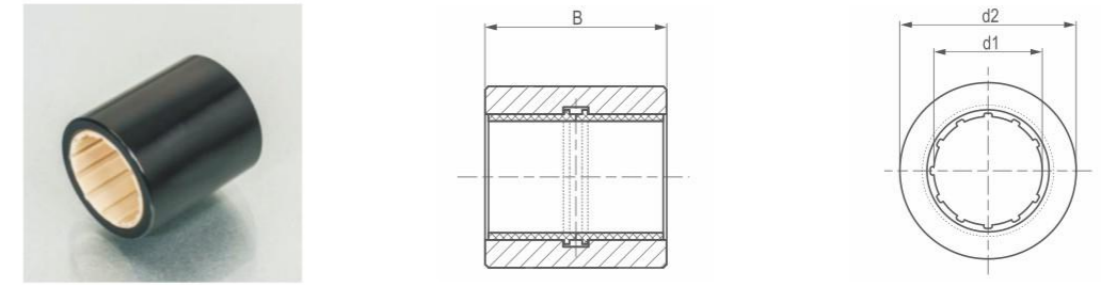
订购编码 Order P/N	d1 mm ²	公差 Tolerance mm ²	d2 h7 mm ²	B h10 mm ²	B1 H10 mm ²	dn h10 mm ²	s H10 mm ²
LIN-01R-10	10	+0.030/+0.088	19	29	21.6	17.5	1.3
LIN-01R-12	12	+0.030/+0.088	22	32	22.6	20.5	1.3
LIN-01R-16	16	+0.030/+0.088	26	36	24.6	24.2	1.3
LIN-01R-20	20	+0.030/+0.091	32	45	31.2	29.6	1.6
LIN-01R-25	25	+0.030/+0.091	40	58	43.7	36.5	1.85
LIN-01R-30	30	+0.040/+0.110	47	68	51.7	43.5	1.85
LIN-01R-40	40	+0.040/+0.115	62	80	60.3	57.8	2.15
LIN-01R-50	50	+0.050/+0.130	75	100	77.3	70.5	2.65

订购编码 Order P/N	轴径 Shaft mm ²	座孔 Housing mm ² H7	公差 Tolerance mm ²	极限动载荷 Dynamic Load P=5MPa	极限静载荷 Static Load P=35Mpa	重量 (g) Weight
LIN-01R-10	10	19	0/+0.021	870N	6090N	12
LIN-01R-12	12	22	0/+0.021	1152N	8064N	20
LIN-01R-16	16	26	0/+0.021	1728N	12096N	28
LIN-01R-20	20	32	0/+0.025	2700N	18900N	50
LIN-01R-25	25	40	0/+0.025	4350N	30650N	104
LIN-01R-30	30	47	0/+0.025	6120N	42840N	163
LIN-01R-40	40	62	0/+0.030	9600N	67200N	341
LIN-01R-50	50	75	0/+0.030	15000N	105000N	589

订购编码 Order P/N: LIN-01 R-10
 — 内径 Inner diameter
 — 保持器 Aluminum housing
 — LIN-01 系列标准滑动膜
 Standard membranes type LIN-01

LIN塑料直线轴承 LIN Plastic Linear Bearings

LIN-02R 系列直线轴承 LIN-02R Linear Bearings



座孔 Housing:H7 轴 Shaft:h6-h9

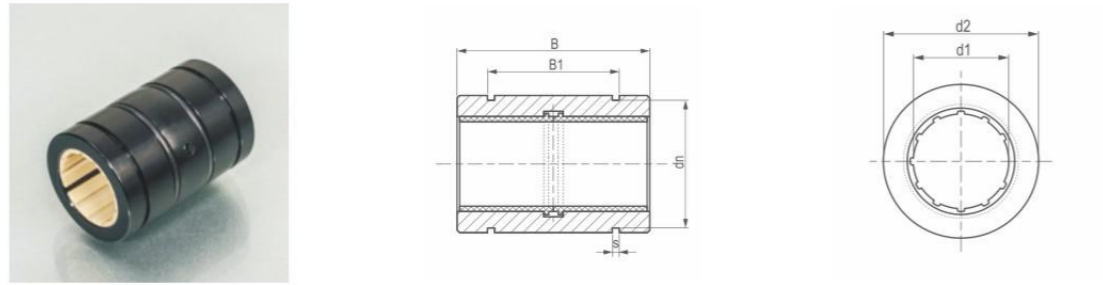
订购编码 Order P/N	d1 mm	公差 Tolerance mm	d2 h7 mm	B h10 mm
LIN-02R-10	10	+0.030/+0.088	17	26
LIN-02R-12	12	+0.030/+0.088	19	28
LIN-02R-16	16	+0.030/+0.088	24	30
LIN-02R-20	20	+0.030/+0.091	28	30
LIN-02R-25	25	+0.030/+0.091	35	40
LIN-02R-30	30	+0.040/+0.110	40	50
LIN-02R-40	40	+0.040/+0.115	52	60
LIN-02R-50	50	+0.050/+0.130	62	70

订购编码 Order P/N	轴径 Shaft mm ²	座孔 Housing mm ² H7	公差 Tolerance mm ²	极限动载荷 Dynamic Load P=5MPa	极限静载荷 Static Load P=35Mpa	重量 (g) Weight
LIN-02R-10	10	17	0/+0.018	780N	5460N	9
LIN-02R-12	12	19	0/+0.021	1008N	7056N	11
LIN-02R-16	16	24	0/+0.021	1440N	10080N	17
LIN-02R-20	20	28	0/+0.021	1800N	12600N	18
LIN-02R-25	25	35	0/+0.025	3000N	21000N	41
LIN-02R-30	30	40	0/+0.025	4500N	31500N	56
LIN-02R-40	40	52	0/+0.030	7200N	50400N	113
LIN-02R-50	50	62	0/+0.030	10500N	73500N	152

订购编码 Order P/N: LIN-02 R-10
 — 内径 Inner diameter
 — 保持器 Aluminum housing
 — LIN-02 系列标准滑动膜
 Standard membranes type LIN-02

LIN塑料直线轴承 LIN Plastic Linear Bearings

LIN-01RS 系列滑动膜 LIN-01RS Linear Bearings



座孔 Housing:H7 轴 Shaft:h6-h9

订购编码 Order P/N	d1 mm ²	公差 Tolerance mm ²	d2 h7 mm ²	B h10 mm ²	B1 H10 mm ²	dn h10 mm ²	s H10 mm ²
LIN-01RS-10	10	+0.030/+0.088	19	29	21.6	17.5	1.3
LIN-01RS-12	12	+0.030/+0.088	22	32	22.6	20.5	1.3
LIN-01RS-16	16	+0.030/+0.088	26	36	24.6	24.2	1.3
LIN-01RS-20	20	+0.030/+0.091	32	45	31.2	29.6	1.6
LIN-01RS-25	25	+0.030/+0.091	40	58	43.7	36.5	1.85
LIN-01RS-30	30	+0.040/+0.110	47	68	51.7	43.5	1.85
LIN-01RS-40	40	+0.040/+0.115	62	80	60.3	57.8	2.15
LIN-01RS-50	50	+0.050/+0.130	75	100	77.3	70.5	2.65

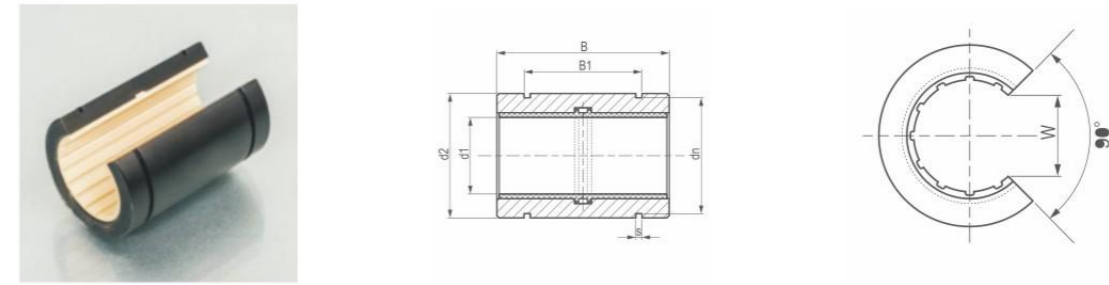
订购编码 Order P/N	轴径 Shaft mm ²	座孔 Housing mm ² H7	公差 Tolerance mm ²	极限动载荷 Dynamic Load P=5MPa	极限静载荷 Static Load P=35Mpa	重量 (g) Weight
LIN-01RS-10	10	19	0/+0.021	870N	6090N	12
LIN-01RS-12	12	22	0/+0.021	1152N	8064N	20
LIN-01RS-16	16	26	0/+0.021	1728N	12096N	28
LIN-01RS-20	20	32	0/+0.025	2700N	18900N	50
LIN-01RS-25	25	40	0/+0.025	4350N	30650N	104
LIN-01RS-30	30	47	0/+0.025	6120N	42840N	163
LIN-01RS-40	40	62	0/+0.030	9600N	67200N	341
LIN-01RS-50	50	75	0/+0.030	15000N	105000N	589

订购编码 Order P/N: LIN-01 RS-10

- 内径 Inner diameter
- 保持器 Aluminum housing
- LIN-01 系列标准滑动膜
Standard membranes type LIN-01

LIN塑料直线轴承 LIN Plastic Linear Bearings

LIN-01RK 系列直线轴承 LIN-01RK Linear Bearings



座孔 Housing:H7 轴 Shaft:h6-h9

订购编码 Order P/N	d1 mm ²	公差 Tolerance mm ²	d2 h7 mm ²	B h10 mm ²	B1 H10 mm ²	W mm ²	s H10 mm ²	dn h10 mm ²
LIN-01RK-10	10	+0.030/+0.088	19	29	21.6	7.3	1.30	17.5
LIN-01RK-12	12	+0.030/+0.088	22	32	22.6	9.0	1.30	20.5
LIN-01RK-16	16	+0.030/+0.088	26	36	24.6	11.6	1.30	24.2
LIN-01RK-20	20	+0.030/+0.091	32	45	31.2	12.0	1.60	29.6
LIN-01RK-25	25	+0.030/+0.091	40	58	43.7	14.5	1.85	36.5
LIN-01RK-30	30	+0.040/+0.110	47	68	51.7	16.6	1.85	43.5
LIN-01RK-40	40	+0.040/+0.115	62	80	60.3	21.0	2.15	57.8
LIN-01RK-50	50	+0.050/+0.130	75	100	77.3	25.5	2.65	70.5

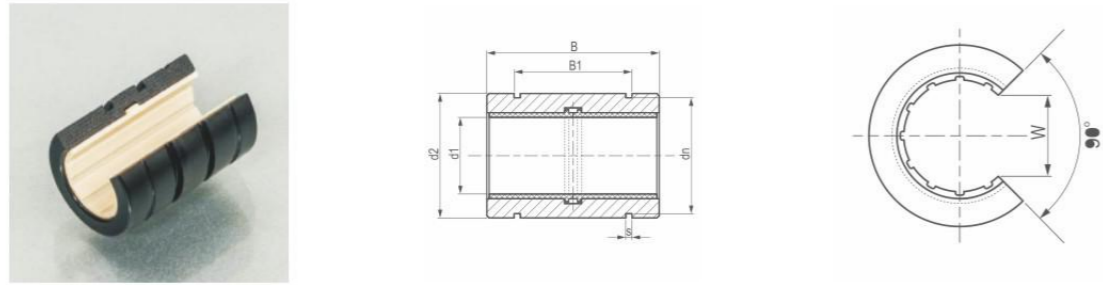
订购编码 Order P/N	轴径 Shaft mm ²	座孔 Housing mm ² H7	公差 Tolerance mm ²	极限动载荷 Dynamic Load P=5MPa	极限静载荷 Static Load P=35Mpa	重量 (g) Weight
LIN-01RK-10	10	19	0/+0.021	870N	6090N	9
LIN-01RK-12	12	22	0/+0.021	1152N	8064N	15
LIN-01RK-16	16	26	0/+0.021	1728N	12096N	21
LIN-01RK-20	20	32	0/+0.025	2700N	18900N	37
LIN-01RK-25	25	40	0/+0.025	4350N	30650N	78
LIN-01RK-30	30	47	0/+0.025	6120N	42840N	122
LIN-01RK-40	40	62	0/+0.030	9600N	67200N	256
LIN-01RK-50	50	75	0/+0.030	15000N	105000N	442

订购编码 Order P/N: LIN-01 RK-10

- 内径 Inner diameter
- 保持器 Aluminum housing
- LIN-01 系列标准滑动膜
Standard membranes type LIN-01

LIN塑料直线轴承 LIN Plastic Linear Bearings

LIN-01RSK 系列直线轴承 LIN-01RSK Linear Bearings



座孔 Housing:H7 轴 Shaft:h6-h9

订购编码 Order P/N	d1 mm ²	公差 Tolerance mm ²	d2 h7 mm ²	B h10 mm ²	B1 H10 mm ²	W mm ²	s H10 mm ²	dn h10 mm ²
LIN-01RSK-10	10	+0.030/+0.088	19	29	21.6	7.3	1.30	17.5
LIN-01RSK-12	12	+0.030/+0.088	22	32	22.6	9.0	1.30	20.5
LIN-01RSK-16	16	+0.030/+0.088	26	36	24.6	11.6	1.30	24.2
LIN-01RSK-20	20	+0.030/+0.091	32	45	31.2	12.0	1.60	29.6
LIN-01RSK-25	25	+0.030/+0.091	40	58	43.7	14.5	1.85	36.5
LIN-01RSK-30	30	+0.040/+0.110	47	68	51.7	16.6	1.85	43.5
LIN-01RSK-40	40	+0.040/+0.115	62	80	60.3	21.0	2.15	57.8
LIN-01RSK-50	50	+0.050/+0.130	75	100	77.3	25.5	2.65	70.5

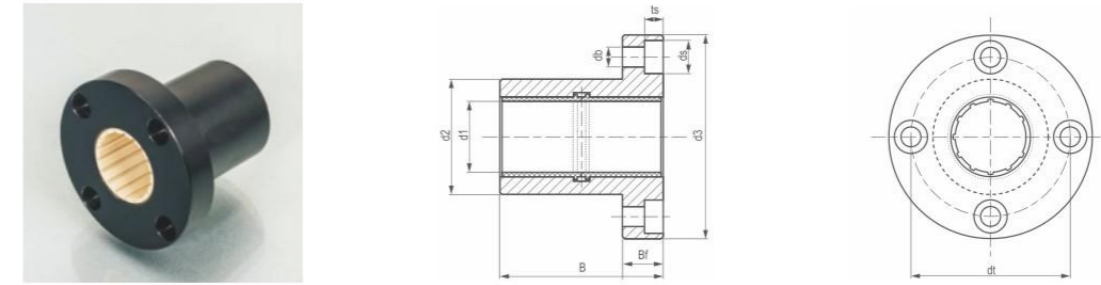
订购编码 Order P/N	轴径 Shaft mm ²	座孔 Housing mm ² H7	公差 Tolerance mm ²	极限动载荷 Dynamic Load P=5MPa	极限静载荷 Static Load P=35Mpa	重量 (g) Weight
LIN-01RSK-10	10	19	0/+0.021	870N	6090N	9
LIN-01RSK-12	12	22	0/+0.021	1152N	8064N	15
LIN-01RSK-16	16	26	0/+0.021	1728N	12096N	21
LIN-01RSK-20	20	32	0/+0.025	2700N	18900N	37
LIN-01RSK-25	25	40	0/+0.025	4350N	30650N	78
LIN-01RSK-30	30	47	0/+0.025	6120N	42840N	122
LIN-01RSK-40	40	62	0/+0.030	9600N	67200N	256
LIN-01RSK-50	50	75	0/+0.030	15000N	105000N	442

订购编码 Order P/N: LIN-01 RSK-10

- 内径 Inner diameter
- 保持器 Aluminum housing
- LIN-01 系列标准滑动膜
Standard membranes type LIN-01

LIN塑料直线轴承 LIN Plastic Linear Bearings

LIN-01RF 系列直线轴承 LIN-01RF Linear Bearings



座孔 Housing:H7 轴 Shaft:h6-h9

订购编码 Order P/N	d1 mm ²	公差 Tolerance mm ²	d2 h7 mm ²	dt mm ²	d3 mm ²	B mm ²	Bf mm ²	ts mm ²	db mm ²	ds mm ²
LIN-01RF-10	10	+0.030/+0.088	19	29	39	29	9	4.1	4.5	7.5
LIN-01RF-12	12	+0.030/+0.088	22	32	42	32	9	4.1	4.5	7.5
LIN-01RF-16	16	+0.030/+0.088	26	36	46	36	9	4.1	4.5	7.5
LIN-01RF-20	20	+0.030/+0.091	32	43	54	45	11	5.1	5.5	9.0
LIN-01RF-25	25	+0.030/+0.091	40	51	62	58	11	5.1	5.5	9.0
LIN-01RF-30	30	+0.040/+0.110	47	62	76	68	14	6.1	6.6	11.0
LIN-01RF-40	40	+0.040/+0.115	62	80	98	80	18	8.1	9.0	14.0
LIN-01RF-50	50	+0.050/+0.130	75	94	112	100	18	8.1	9.0	14.0

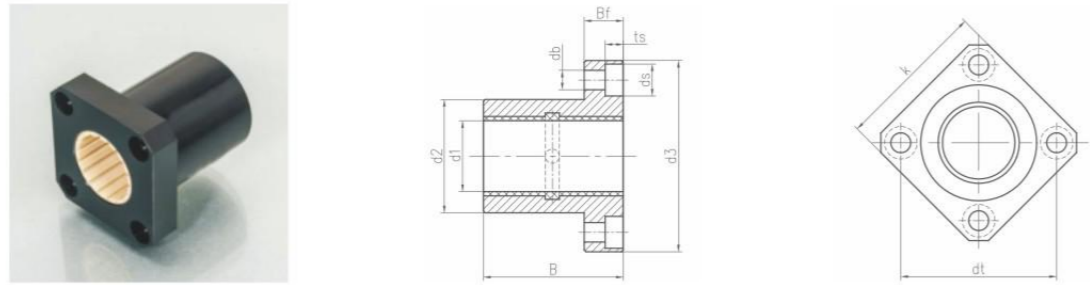
订购编码 Order P/N	轴径 Shaft mm ²	座孔 Housing mm ² H7	公差 Tolerance mm ²	极限动载荷 Dynamic Load P=5MPa	极限静载荷 Static Load P=35Mpa	重量 (g) Weight
LIN-01RF-10	10	19	0/+0.021	870N	6090N	34
LIN-01RF-12	12	22	0/+0.021	1152N	8064N	43
LIN-01RF-16	16	26	0/+0.021	1728N	12096N	54
LIN-01RF-20	20	32	0/+0.025	2700N	18900N	91
LIN-01RF-25	25	40	0/+0.025	4350N	30650N	154
LIN-01RF-30	30	47	0/+0.025	6120N	42840N	266
LIN-01RF-40	40	62	0/+0.030	9600N	67200N	555
LIN-01RF-50	50	75	0/+0.030	15000N	105000N	852

订购编码 Order P/N: LIN-01 RF-10

- 内径 Inner diameter
- 圆法兰保持器
Round Flange Aluminum housing
- LIN-01 系列标准滑动膜
Standard membranes type LIN-01

LIN塑料直线轴承 LIN Plastic Linear Bearings

LIN-01RT 方法塑料直线轴承 Angular Flange Linear Bearings



座孔 Housing:H7 轴 Shaft:h6-h9

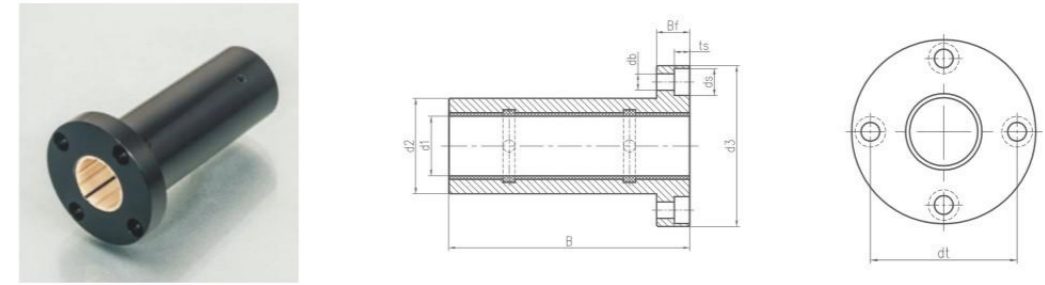
订购编码 Order P/N	d1 mm ²	d2 mm ²	d3 mm ²	dt mm ²	k mm ²	B mm ²	Bf mm ²	ts mm ²	db mm ²	ds mm ²
LIN-01RT-10	10	19	39	29	30	29	9	4.1	4.5	7.5
LIN-01RT-12	12	22	42	32	32	32	9	4.1	4.5	7.5
LIN-01RT-16	16	26	46	36	35	36	9	4.1	4.5	7.5
LIN-01RT-20	20	32	54	43	42	45	11	5.1	5.5	9.0
LIN-01RT-25	25	40	62	51	50	58	11	5.1	5.5	9.0
LIN-01RT-30	30	47	76	62	60	68	14	6.1	6.6	11.0
LIN-01RT-40	40	62	98	80	75	80	18	8.1	9.0	14.0
LIN-01RT-50	50	75	112	94	88	100	18	8.1	9.0	14.0

订购编码 Order P/N	轴径 Shaft mm ²	座孔 Housing mm ² H7	公差 Tolerance mm ²	极限动载荷 Dynamic Load P=5MPa	极限静载荷 Static Load P=35Mpa	重量 (g) Weight
LIN-01RT-10	10	19	0/+0.021	870N	6090N	34
LIN-01RT-12	12	22	0/+0.021	1152N	8064N	43
LIN-01RT-16	16	26	0/+0.021	1728N	12096N	54
LIN-01RT-20	20	32	0/+0.025	2700N	18900N	91
LIN-01RT-25	25	40	0/+0.025	2350N	30650N	154
LIN-01RT-30	30	47	0/+0.025	6120N	42840N	266
LIN-01RT-40	40	62	0/+0.030	9600N	67200N	555
LIN-01RT-50	50	75	0/+0.030	15000N	105000N	852

订购编码 Order P/N: LIN-01 RT-10
 — 内径 Inner diameter
 — 方法兰保持器 Aluminum housing
 — 系列号 Design No

LIN塑料直线轴承 LIN Plastic Linear Bearings

LIN-02RFL 加长型方法兰塑料直线轴承 Angular Flange Linear Bearings (Long design)



座孔 Housing:H7 轴 Shaft:h6-h9

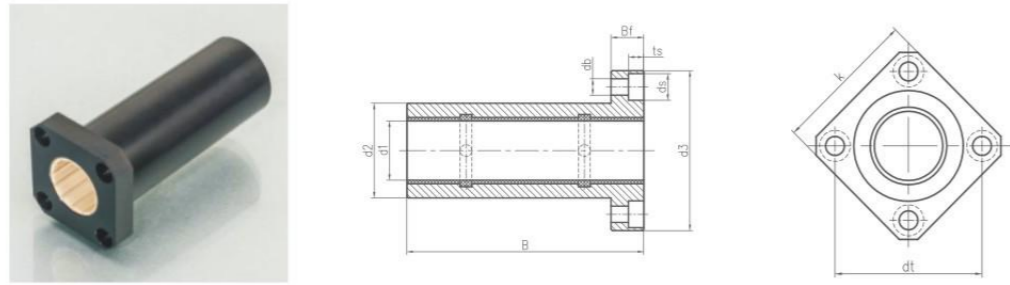
订购编码 Order P/N	d1 mm ²	d2 mm ²	d3 mm ²	dt mm ²	k mm ²	B mm ²	Bf mm ²	ts mm ²	db mm ²	ds mm ²
LIN-02RFL-10	10	19	39	29	30	52	9	4.1	4.5	7.5
LIN-02RFL-12	12	22	42	32	32	57	9	4.1	4.5	7.5
LIN-02RFL-16	16	26	46	36	35	70	9	4.1	4.5	7.5
LIN-02RFL-20	20	32	54	43	42	80	11	5.1	5.5	9.0
LIN-02RFL-25	25	40	62	51	50	112	11	5.1	5.5	9.0
LIN-02RFL-30	30	47	76	62	60	123	14	6.1	6.6	11.0
LIN-02RFL-40	40	62	98	80	75	151	18	8.1	9.0	14.0
LIN-02RFL-50	50	75	112	94	88	192	18	8.1	9.0	14.0

订购编码 Order P/N	轴径 Shaft mm ²	公差 Tolerance mm ²	极限动载荷 Dynamic Load P=5MPa	极限静载荷 Static Load P=35Mpa	重量 (g) Weight
LIN-02RFL-10	10	+0.030/+0.080	1300	9100	44
LIN-02RFL-12	12	+0.030/+0.080	1680	11760	57
LIN-02RFL-16	16	+0.030/+0.080	2400	16800	79
LIN-02RFL-20	20	+0.030/+0.091	3000	21000	126
LIN-02RFL-25	25	+0.030/+0.091	5000	35000	249
LIN-02RFL-30	30	+0.030/+0.110	7500	52500	388
LIN-02RFL-40	40	+0.030/+0.115	12000	84000	835
LIN-02RFL-50	50	+0.030/+0.130	17500	122500	1352

订购编码 Order P/N: LIN-02 RFL-10
 — 内径 Inner diameter
 — 圆法兰加长型保持器
 Round Flange Aluminum housing(Long Design)
 — LIN-02 系列标准滑动膜 LIN-02 Standard membranes

LIN塑料直线轴承 LIN Plastic Linear Bearings

LIN-02RTL 加长型方法兰塑料直线轴承 Angular Flange Linear Bearings (Long design)



座孔 Housing:H7 轴 Shaft:h6-h9

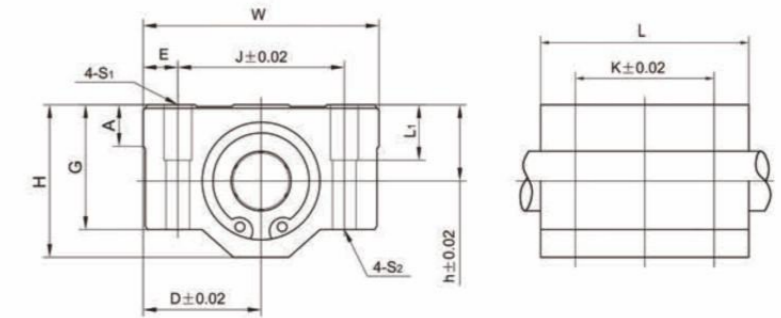
订购编码 Order P/N	d1 mm ²	d2 mm ²	d3 mm ²	dt mm ²	k mm ²	B mm ²	Bf mm ²	ts mm ²	db mm ²	ds mm ²
LIN-02RTL-10	10	19	39	29	30	52	9	4.1	4.5	7.5
LIN-02RTL-12	12	22	42	32	32	57	9	4.1	4.5	7.5
LIN-02RTL-16	16	26	46	36	35	70	9	4.1	4.5	7.5
LIN-02RTL-20	20	32	54	43	42	80	11	5.1	5.5	9.0
LIN-02RTL-25	25	40	62	51	50	112	11	5.1	5.5	9.0
LIN-02RTL-30	30	47	76	62	60	123	14	6.1	6.6	11.0
LIN-02RTL-40	40	62	98	80	75	151	18	8.1	9.0	14.0
LIN-02RTL-50	50	75	112	94	88	192	18	8.1	9.0	14.0

订购编码 Order P/N	轴径 Shaft mm ²	公差 Tolerance mm ²	极限动载荷 Dynamic Load P=5MPa	极限静载荷 Static Load P=35MPa	重量 (g) Weight
LIN-02RTL-10	10	+0.030/+0.080	1300	9100	44
LIN-02RTL-12	12	+0.030/+0.080	1680	11760	57
LIN-02RTL-16	16	+0.030/+0.080	2400	16800	79
LIN-02RTL-20	20	+0.030/+0.091	3000	21000	126
LIN-02RTL-25	25	+0.030/+0.091	5000	35000	249
LIN-02RTL-30	30	+0.030/+0.110	7500	52500	388
LIN-02RTL-40	40	+0.030/+0.115	12000	84000	835
LIN-02RTL-50	50	+0.030/+0.130	17500	122500	1352

订购编码 Order P/N: LIN-02 RTL-10

- 内径 Inner diameter
- 方法兰加长型保持器
Angular Flange Aluminum housing(Long Design)
- LIN-02 系列标准滑动膜 LIN-02 Standard membranes

LN-11G 标准设计直线轴承座 LN-11G Pillow block, Standard design



轴 Shaft: h6-h9

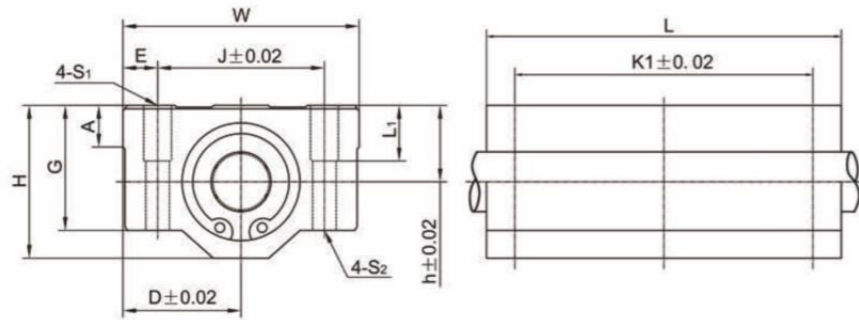
订购编码 Order PN	安装轴承 Bearing mm	轴径 Shaft mm	尺寸Size (mm)											
			h	D	W	H	G	A	J	E	S1×L1	S2	K	L
LIN-11G-12	LIN-11R-12	ø 12	15	22	44	30	24	8	33	5.5	M5×10	ø 4.3	26	39
LIN-11G-16	LIN-11R-16	ø 16	19	25	50	38.5	32.5	9	36	7	M5×12	ø 4.3	34	44
LIN-11G-20	LIN-11R-20	ø 20	21	27	54	41	35	11	40	7	M6×12	ø 5.2	40	53
LIN-11G-25	LIN-11R-25	ø 25	26	38	76	51.5	41	12	54	11	M8×18	ø 7	50	67
LIN-11G-30	LIN-11R-30	ø 30	30	39	78	59.5	49	15	58	10	M8×18	ø 7	58	76
LIN-11G-40	LIN-11R-40	ø 40	40	51	102	78	62	20	80	11	M10×25	ø 8.7	60	90
LIN-11G-50	LIN-11R-50	ø 50	52	61	122	102	80	25	100	11	M10×25	ø 8.7	80	110

订购编码 Order PN	内径 D mm	公差 Tolerance mm	F max. [N] 动载荷 Dynamic Load P=5MPa	F max. [N] 静载荷 Static Load P=35MPa	重量 Weight [g]
LIN-11G-12	12	+0.030/+0.088	1152	8064	79
LIN-11G-16	16	+0.030/+0.088	1728	12096	125
LIN-11G-20	20	+0.030/+0.091	2700	18900	159
LIN-11G-25	25	+0.030/+0.091	4350	30650	343
LIN-11G-30	30	+0.040/+0.110	6120	42840	450
LIN-11G-40	40	+0.040/+0.115	9600	67200	1021
LIN-11G-50	50	0.040/+0.130	15000	105000	1871

订购编码 Order PN: LIN-11G-16

- 轴承内径
Inner diameter
- 标准设计直线轴承座
Pillow block, Standard design
- LN-11R系列直线轴承
LIN-11R standard bearings

LN-11GL 标准设计直线轴承座 LN-11GL Pillow Block, Long Design



轴 Shaft: h6-h9

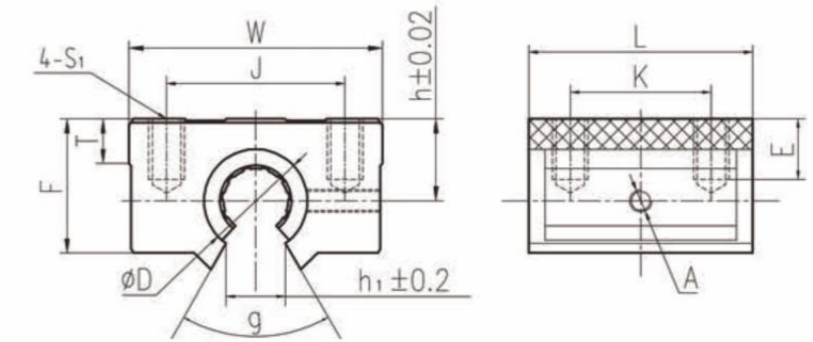
订购编码 Order PN	安装轴承 Bearing mm	轴径 Shaft mm	尺寸Size (mm)											
			h	D	W	H	G	A	J	E	S1×L1	S2	K	L
LIN-11GL-16 2×LIN-11R-16	16	16	19	25	50	38.5	32.5	9	36	7	M5×12	ø 4.3	79	89
LIN-11GL-20 2×LIN-11R-20	20	20	21	27	54	41	35	11	40	7	M6×12	ø 5.2	90	106
LIN-11GL-25 2×LIN-11R-25	25	25	26	38	76	51.5	41	12	54	11	M8×18	ø 7	119	136
LIN-11GL-30 2×LIN-11R-30	30	30	30	39	78	59.5	49	15	58	10	M8×18	ø 7	132	154
LIN-11GL-40 2×LIN-11R-40	40	40	40	51	102	78	62	20	80	11	M10×25	ø 8.7	150	180

订购编码 Order PN	内径1.D mm	公差 Tolerance mm	F max. [N] 动载荷 Dynamic Load P=5MPa	F max. [N] 静载荷 Static Load P=35MPa	重量 Weight [g]
LIN-11G-16	16	+0.030/+0.088	3456	24192	250
LIN-11G-20	20	+0.030/+0.091	5400	37800	318
LIN-11G-25	25	+0.030/+0.091	8400	61300	686
LIN-11G-30	30	+0.040/+0.110	12240	85680	905
LIN-11G-40	40	+0.040/+0.115	19200	134400	2041

订购编码 Order PN: LIN-11GL-16



LN-11GK 标准型开口直线轴承座 LN-11GK Open Pillow Block



轴 Shaft: h6-h9

订购编码 Order PN	安装轴承 Bearing mm	轴径 Shaft mm	尺寸Size (mm)													
			D(H7)	h	W	L	F	h ₁	T	A	g	J	K	E	S ₁	
LIN-11GK-16 LIN-11RK-16	16	16	26	19	49.7	46.4	32.3	17	11	M5	60°	37	40	15	M5	
LIN-11GK-20 LIN-11RK-20	20	20	32	21	54.1	51.3	35.2	17	11.8	M5	60°	41	35	17	M5	
LIN-11GK-25 LIN-11RK-25	25	25	40	26	76	66.4	42.2	21	12.5	M6	60°	54	50	20	M6	
LIN-11GK-30 LIN-11RK-30	30	30	47	30	78	71.5	49.1	21	15.5	M6	60°	58	55	25	M8	

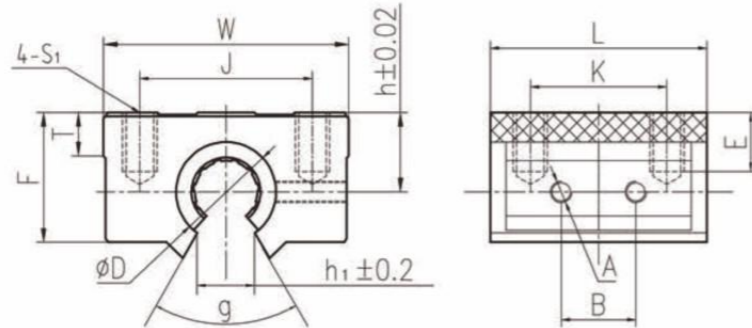
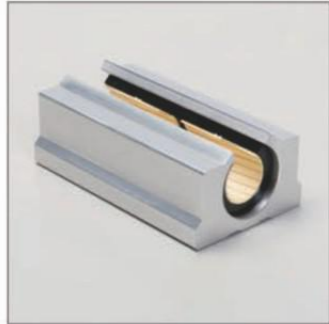
订购编码 Order PN	内径1.D mm	公差 Tolerance mm	F max. [N] 动载荷 Dynamic Load P=5MPa	F max. [N] 静载荷 Static Load P=35MPa	重量 Weight [g]
LIN-11GK-16	16	+0.030/+0.088	1728	12096	125
LIN-11GK-20	20	+0.030/+0.091	2700	18900	159
LIN-11GK-25	25	+0.030/+0.091	4350	30650	343
LIN-11GK-30	30	+0.040/+0.110	6120	42840	450

订购编码 Order PN: LIN-11GK-16



LIN-11GKL加长型开口直线轴承座 LIN-11 GKL Open Pillow Block, Long Design

Plastic Linear Bearings



轴 Shaft: h6-h9

订购编码 Order PN	安装轴承 Bearing mm	轴径 Shaft mm	尺寸Size (mm)												
			D(H7)	h	W	L	F	h ₁	T	A	g	J	K	E	S ₁
LIN-11GL-16	LIN-11RL-16×2	16	28	19	49.7	86.3	32.3	17	11	M5	60°	37	70	15	M5
LIN-11GL-20	LIN-11RL-20×2	20	32	21	54.1	96.2	35.2	17	11.8	M5	60°	41	80	17	M5
LIN-11GL-25	LIN-11RL-25×2	25	40	26	76	131.	42.2	21	12.5	M6	60°	54	110	20	M6
LIN-11GL-30	LIN-11RL-30×2	30	45	30	78	141.5	49.1	21	15.5	M6	60°	58	115	25	M8

订购编码 Order PN	内径1.D mm	公差 Tolerance mm	F max. [N] 动载荷 Dynamic Load P=5MPa	F max. [N] 静载荷 Static Load P=35MPa	重量 Weight [g]
LIN-11GL-16	16	+0.030/+0.088	3456	24192	250
LIN-11GL-20	20	+0.030/+0.091	5400	37800	318
LIN-11GL-25	25	+0.030/+0.091	8400	61300	686
LIN-11GL-30	30	+0.040/+0.110	12240	85680	905

订购编码 Order PN: LIN-11GKL-16



直线光轴 Linear Shaft

