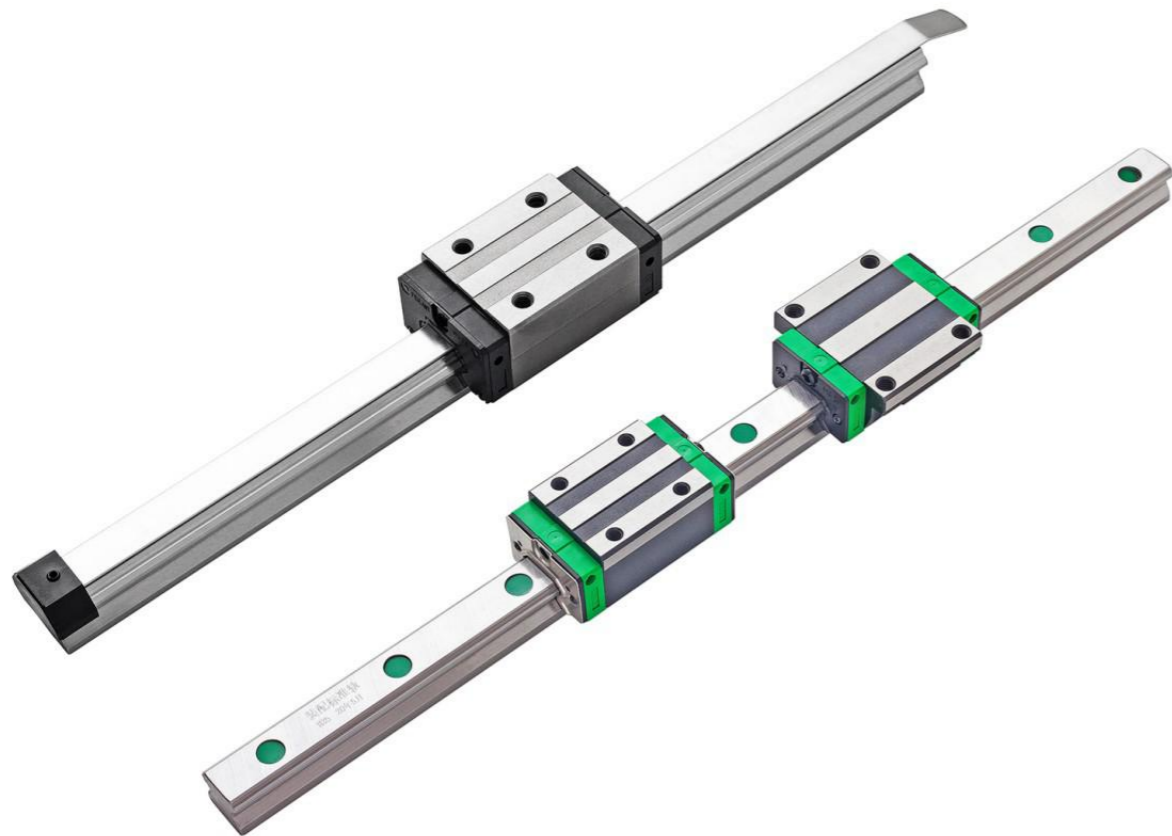
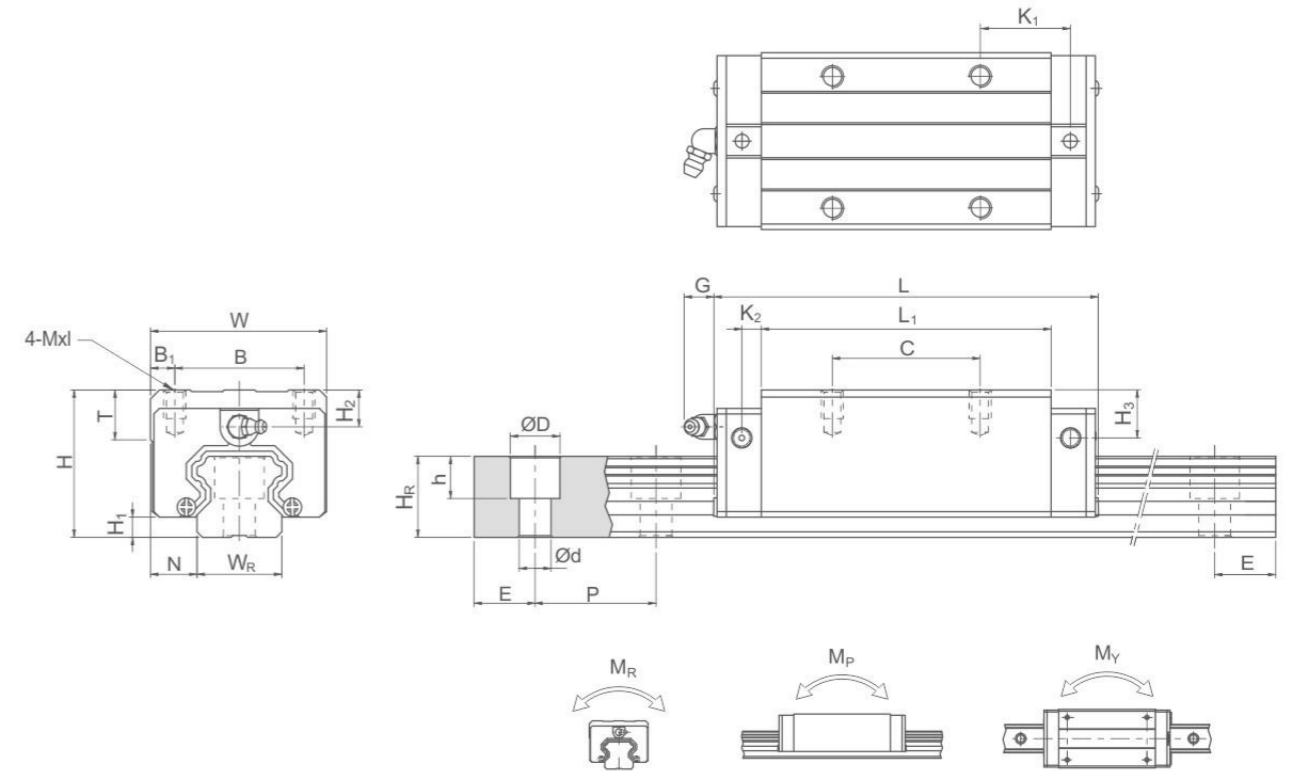


线性滑轨 Linear Guideway



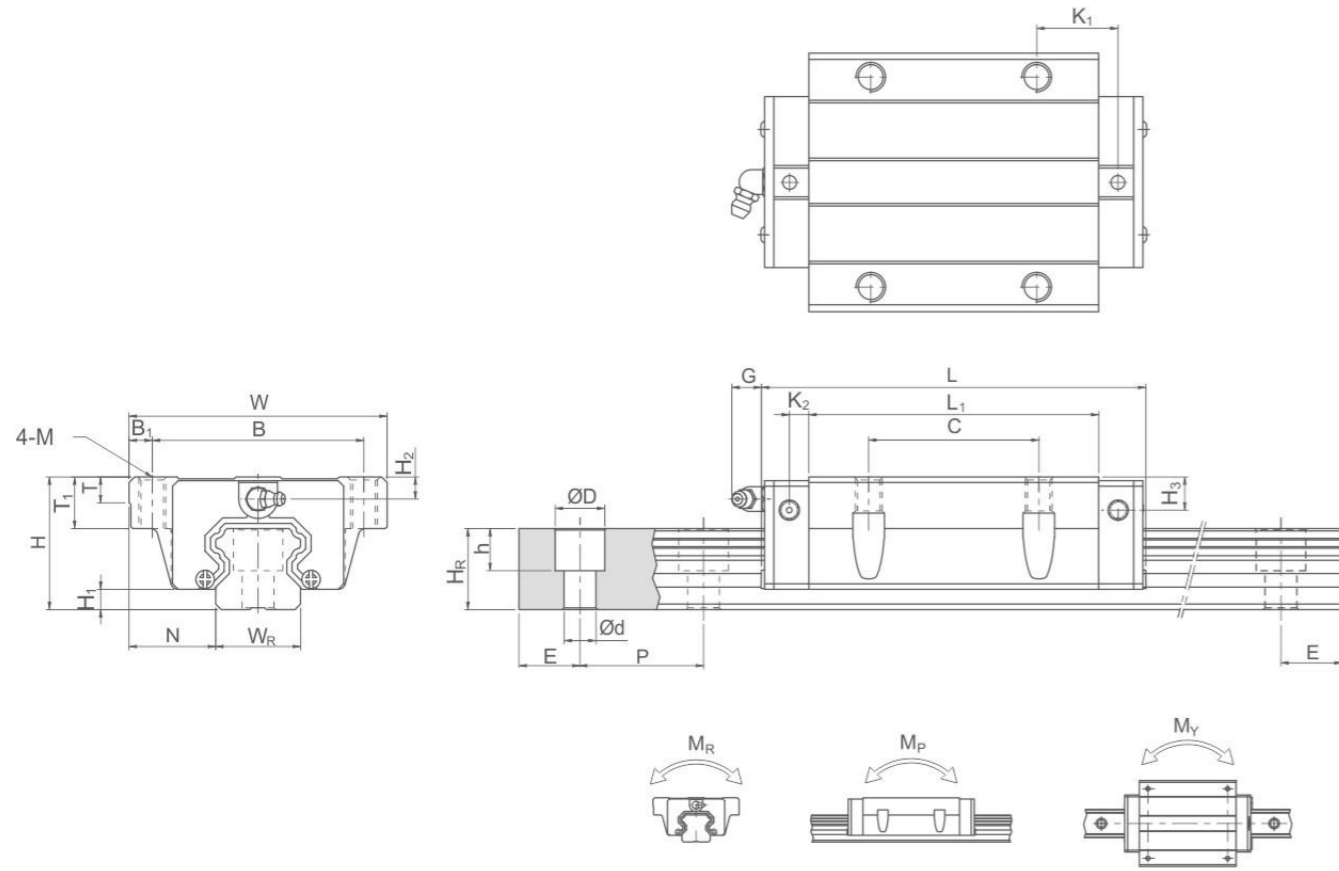
HGH-CA/HGH-HA



型号 Model No.	组件尺寸 Dimensions of Assembly (mm)						滑块尺寸 Dimensions of Block (mm)										滑轨尺寸 Dimensions of Rail (mm)						滑轨固定 螺栓尺寸 Mounting Bolt for Rail (mm)	动负荷 Basic Dynamic Load Rating C(kN)	静负荷 Basic Static Load Rating CO(kN)	容许静力矩 Static Rated Moment			重量 Weight		
	H	H1	N	W	B	B1	C	L1	L	K1	K2	G	MxL	T	H2	H3	WR	HR	D	h	d	P				E	MR	MP	MY	滑块 Block kg	滑轨 Rail kg/m
HGH15CA	28	4.3	9.5	34	26	4	26	39.4	61.4	10	4.85	5.3	M4×5	6	7.95	7.7	15	15	7.5	5.3	4.5	60	20	M4×16	11.38	16.97	0.12	0.10	0.10	0.18	1.45
HGH20CA	30	4.6	12	44	32	6	36	50.5	77.5	12.25	6	12	M4×6	8	6	6	20	17.5	9.5	8.5	6	60	20	M5×16	17.75	27.76	0.27	0.20	0.20	0.30	2.21
HGH20HA							50	65.2	92.2	12.6															21.18	35.90	0.35	0.35	0.35	0.39	
HGH25CA	40	5.5	12.5	48	35	6.5	35	58	84	16.8	6	12	M4×8	8	10	9	23	22	11	9	7	60	20	M6×20	26.48	36.49	0.42	0.33	0.33	0.51	3.21
HGH25HA							50	78.6	104.6	19.6															32.75	49.44	0.56	0.57	0.57	0.69	
HGH30CA	45	6	16	60	40	10	40	70	97.4	20.25	6	12	M4×10	8.5	9.5	13.8	28	26	14	12	9	80	20	M8×25	38.74	52.19	0.66	0.53	0.53	0.88	4.47
HGH30HA							60	93	120.4	21.75															42.27	69.16	0.88	0.92	0.92	1.16	
HGH35CA	55	7.5	18	70	50	10	50	80	112.4	20.6	7	12	M4×12	10.2	16	19.6	34	29	14	12	9	80	20	M8×25	49.52	69.16	1.16	0.81	0.81	1.45	6.30
HGH35HA							72	105.8	138.2	22.5															60.21	91.63	1.54	1.40	1.40	1.92	
HGH45CA	70	9.5	20.5	86	60	13	60	97	139.4	23	10	12.9	M4×17	15	18.5	30.5	45	38	20	17	14	105	22.5	M12×35	77.57	102.71	1.98	1.55	1.55	2.73	10.41
HGH45HA							80	128.8	171.2	28.9															94.54	136.46	2.63	2.68	2.68	3.61	
HGH55CA	80	13	23.5	100	75	12.5	75	117.7	166.7	27.35	11	12.9	M4×18	17.5	22	29	53	44	23	20	16	120	30	M14×45	114.44	148.33	3.69	2.64	2.64	4.17	15.08
HGH55HA							95	155.8	204.8	36.4															139.35	196.20	4.88	4.57	4.57	5.49	
HGH65CA	90	15	31.5	126	76	25	70	144.2	200.2	43.1	14	12.9	M4×20	25	15	15	63	53	26	22	18	150	35	M16×50	163.63	215.33	6.65	4.27	4.27	7.00	21.18
HGH65HA							120	203.6	259.6	47.8															208.36	303.13	9.38	7.38	7.38	9.82	

Note : 1kgf=9.81N

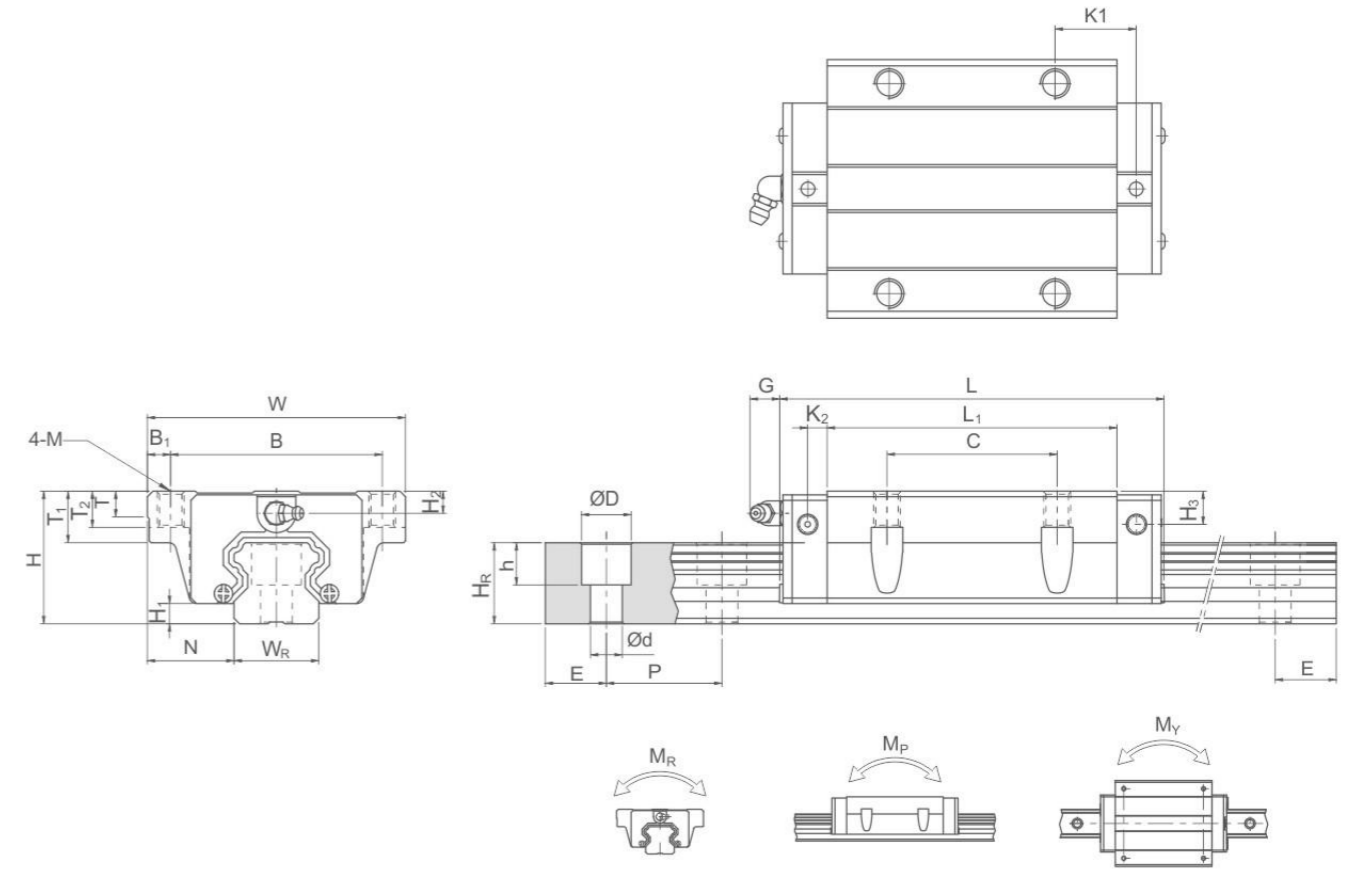
HGW-CA/HGW-HA



型号 Model No.	组件尺寸 Dimensions of Assembly (mm)			滑块尺寸 Dimensions of Block (mm)										滑轨尺寸 Dimensions of Rail (mm)					滑轨固定 螺栓尺寸 Mounting Bolt for Rail	动负荷 Basic Dynamic Load Rating	静负荷 Basic Static Load Rating	容许静力矩 Static Rated Moment			重量 Weight													
	H	H1	N	W	B	B1	C	L1	L	K1	K2	G	M	T	T1	H2	H3	WR				HR	D	h	d	P	E	(mm)	C(kN)	C0(kN)	MR kN-m	MP kN-m	MY kN-m	滑块 Block kg	滑轨 Rail kg/m			
HGW15CA	24	4.3	16	47	38	4.5	30	39.6	61.4	8	4.85	5.3	M5	6	8.9	3.95	3.7	15	15	7.5	5.3	4.5	60	20	M4X16	11.38	16.97	0.12	0.10	0.10	0.17	1.45						
HGW20CA	30	4.6	21.5	63	53	5	40	50.5	77.5	10.25	6	12	M6	8	10	6	6	20	17.5	9.5	8.5	6	60	20	M5X16	17.75	27.76	0.27	0.20	0.20	0.40	2.21						
HGW20HA								65.2	92.2	17.6																												
HGW25CA	36	5.5	23.5	70	57	6.5	45	58	84	11.8	6	12	M8	8	14	6	5	23	22	11	9	7	60	20	M6X20	26.48	36.49	0.42	0.42	0.33	0.59	3.21						
HGW25HA								78.6	104.6	22.1																												
HGW30CA	42	6	31	90	72	9	52	70	97.4	14.25	6	12	M10	8.5	16	6.5	10.8	28	26	14	12	9	80	20	M8X25	38.74	52.19	0.66	0.66	0.53	1.09	4.47						
HGW30HA								93	120.4	25.75																												
HGW35CA	48	7.5	33	100	82	9	62	80	112.4	14.6	7	12	M10	10.1	18	9	12.6	34	29	14	12	9	80	20	M8X25	49.52	69.16	1.16	1.16	0.81	1.56	6.30						
HGW35HA								105.8	138.2	27.5																												
HGW45CA	60	9.5	37.5	120	100	10	80	97	139.4	13	10	12.9	M12	15.1	22	8.5	20.5	45	38	20	17	14	105	22.5	M12X35	77.57	102.71	1.98	1.98	1.55	2.79	10.41						
HGW45HA								128.8	171.2	28.9																												
HGW55CA	70	13	43.5	140	116	12	95	117.7	166.7	17.35	11	12.9	M14	17.5	26.5	12	19	53	44	23	20	16	120	30	M14X45	114.44	148.33	3.69	3.69	2.64	4.52	15.08						
HGW55HA								155.8	204.8	36.4																												
HGW65CA	90	15	53.5	170	142	14	110	144.2	200.2	23.1	14	12.9	M16	25	37.5	15	15	63	53	26	22	18	150	35	M16X50	163.63	215.33	6.65	6.65	4.27	9.17	21.18						
HGW65HA								203.6	259.6	52.8																												

Note : 1kgf=9.81N

HGW-CC/HGW-HC

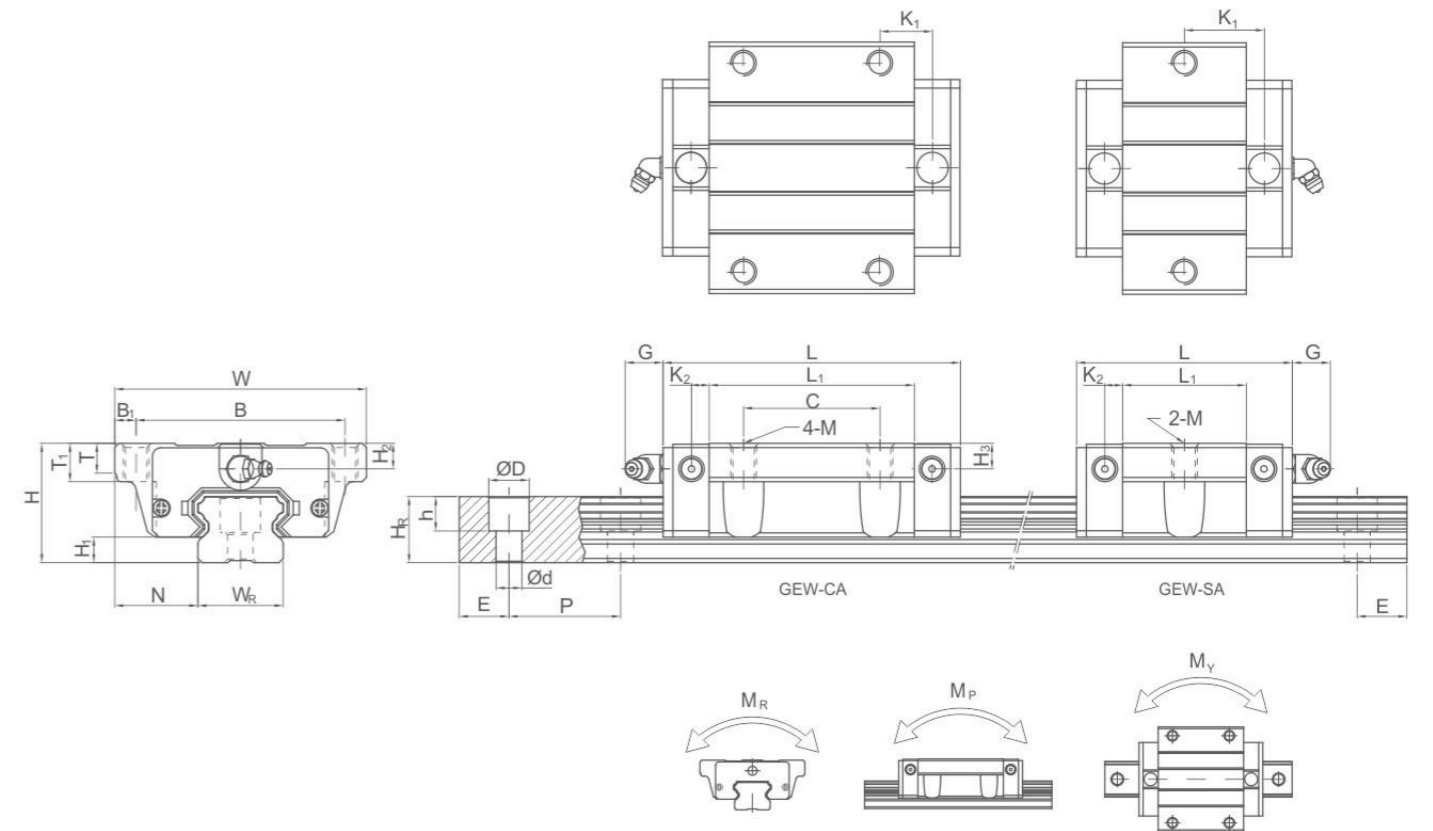
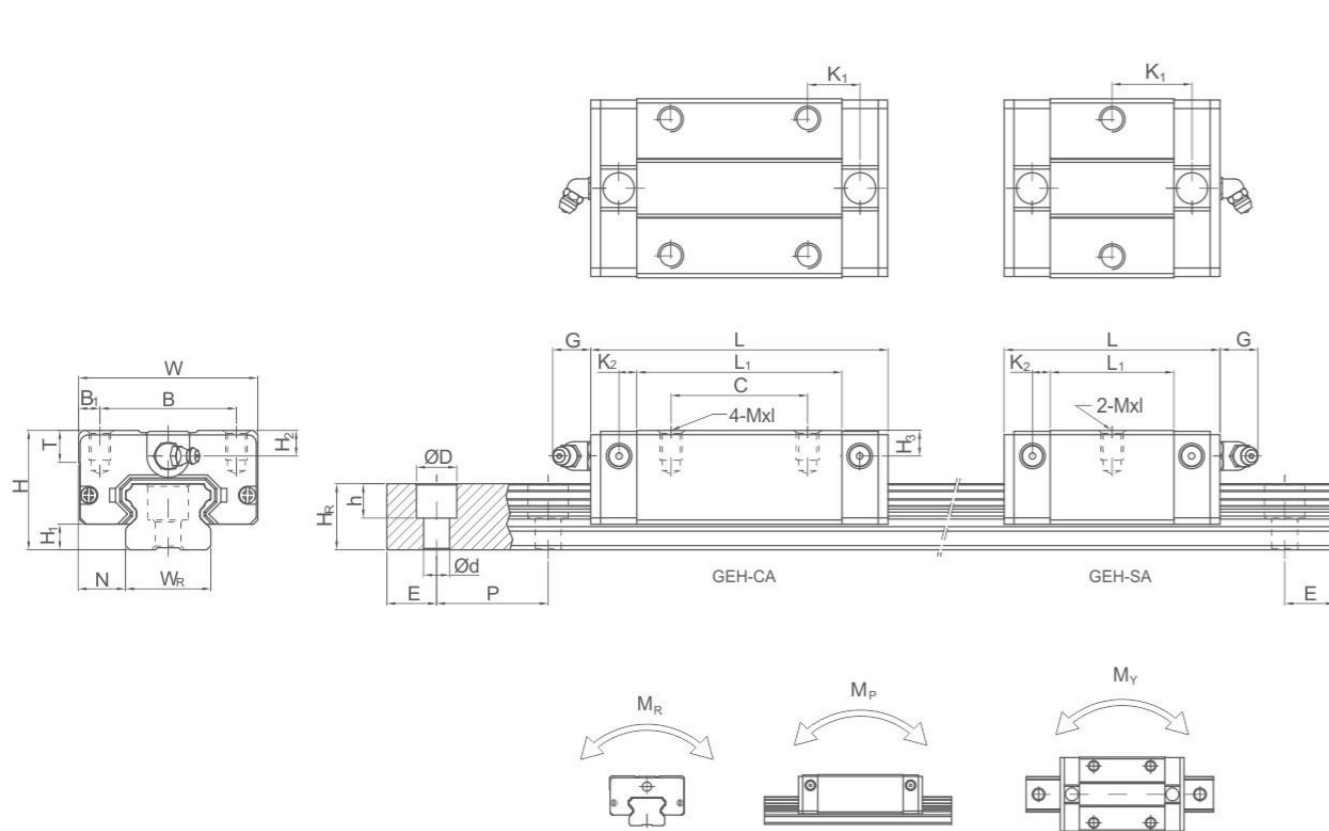


型号 Model No.	组件尺寸 Dimensions of Assembly (mm)			滑块尺寸 Dimensions of Block (mm)										滑轨尺寸 Dimensions of Rail (mm)					滑轨固定 螺栓尺寸 Mounting Bolt for Rail	动负荷 Basic Dynamic Load Rating	静负荷 Basic Static Load Rating	容许静力矩 Static Rated Moment			重量 Weight														
	H	H1	N	W	B	B1	C	L1	L	K1	K2	G	M	T	T1	T2	H2	H3				WR	HR	D	h	d	P	E	(mm)	C(kN)	C0(kN)	MR kN-m	MP kN-m	MY kN-m	滑块 Block kg	滑轨 Rail kg/m			
HGW15CC	24	4.3	16	47	38	4.5	30	39.4	61.4	8	4.85	5.3	M5	6	8.9	3.95	3.7	15	15	7.5	5.3	4.5	60	20	M4X16	11.38	16.97	0.12	0.10	0.10	0.17	1.45							
HGW20CC	30	4.6	21.5	63	53	5	40	50.5	77.5	10.25	6	12	M6	8	10	6	6	20	17.5	9.5	8.5	6	60	20	M5X16	17.75	27.76	0.27	0.20	0.20	0.40	2.21							
HGW20HC								65.2	92.2	17.6																													
HGW25CC	36	5.5	23.5	70	57	6.5	45	58	84	11.8	6	12	M8	8	14	6	5	23	22	11	9	7	60	20	M6X20	26.48	36.49	0.42	0.42	0.33	0.59	3.21							
HGW25HC								78.6	104.6	22.1																													
HGW30CC	42	6	31	90	72	9	52	70	97.4	14.25	6	12	M10	8.5	16	6.5	10.8	28	26	14	12	9	80	20	M8X25	38.74	52.19	0.66	0.66	0.53	1.09	4.47							
HGW30HC								93	120.4	25.75																													
HGW35CC	48	7.5	33	100	82	9	62	80	112.4	14.6	7	12	M10	10.1	18	9	12.6	34	29	14	12	9	80	20	M8X25	49.52	69.16	1.16	1.16	0.81	1.56	6.30							
HGW35HC								105.8	138.2	27.5																													
HGW45CC	60	9.5	37.5	120	100	10	80	97	139.4	13	10	12.9	M12	15.1	22	8.5	20.5	45	38	20	17	14	105	22.5	M12X35	77.57	102.71	1.98	1.98	1.55	2.79	10.41							
HGW45HC								128.8	171.2	28.9																													
HGW55CC	70	13	43.5	140	116	12	95	117.7	166.7	17.35	11	12.9	M14	17.5	26.5	12	19	53	44	23	20	16	120	30	M14X45	114.44	148.33	3.69	3.69	2.64	4.52	15.08							
HGW55HC								155.8	204.8	36.4																													
HGW65CC	90	15	53.5	170	142	14	110	144.2	200.2	23.1	14	12.9	M16	25	37.5	15	15	63	53	26	22	18	150	35	M16X50	163.63	215.33	6.65	6.65	4.27	9.17	21.18							
HGW65HC								203.6	259.6	52.8																													

Note : 1kgf=9.81N

EGH-SA/EGH-CA

EGW-SA/EGW-CA



型号 Model No.	组件尺寸 Dimensions of Assembly (mm)			滑块尺寸 Dimensions of Block (mm)													滑轨固定 螺栓尺寸 Mounting Bolt for Rail			动负荷 Basic Dynamic Load Rating	静负荷 Basic Static Load Rating	容许静力矩 Static Rated Moment			重量 Weight								
	H	H1	N	W	B	B1	C	L1	L	K1	K2	G	Mxl	T	H2	H3	WR	HR	D			h	d	P	E	(mm)	C(kN)	C0(kN)	MR	MP	MY	滑块 Block kg	滑轨 Rail kg/m
EGH15SA	24	4.5	9.5	34	26	4	-	23.1	40.1	14.8	3.5	5.7	M4X6	6	5.5	6	15	12.5	6	4.5	3.5	60	20	M3X16	5.35	9.40	0.08	0.04	0.04	0.09	1.25		
EGH15CA							26	39.8	56.8	10.15																7.83	16.19	0.13	0.10	0.10	0.15		
EGH20SA	28	6	11	42	32	5	-	29	50	18.75	4.15	12	M5X7	7.5	6	6	20	15.5	9.5	8.5	6	60	20	M5X16	7.23	12.74	0.13	0.06	0.06	0.15	2.08		
EGH20CA							32	48.1	69.1	12.3																10.31	21.13	0.22	0.16	0.16	0.24		
EGH25SA	33	7	12.5	48	35	6.5	-	35.5	59.1	21.9	4.55	12	M6X9	8	8	8	23	18	11	9	7	60	20	M6X20	11.40	19.50	0.23	0.12	0.12	0.25	2.67		
EGH25CA							35	59	82.6	16.15																16.27	32.40	0.38	0.32	0.32	0.41		
EGH30SA	42	10	16	60	40	10	-	41.5	69.5	26.75	6	12	M8X12	9	8	9	28	23	11	9	7	80	20	M6X25	16.42	28.10	0.40	0.21	0.21	0.45	4.35		
EGH30CA							40	70.1	98.1	21.05																23.70	47.66	0.68	0.55	0.55	0.76		
EGH35SA	48	11	18	70	50	10	-	45	75	28.5	7	12	M8X12	10	8.5	8.5	34	27.5	14	12	9	80	20	M8X25	22.66	37.38	0.56	0.31	0.31	0.66	6.14		
EGH35CA							50	78	108	20																33.35	64.84	0.98	0.69	0.69	1.13		

Note : 1kgf=9.81N

型号 Model No.	组件尺寸 Dimensions of Assembly (mm)			滑块尺寸 Dimensions of Block (mm)													滑轨固定 螺栓尺寸 Mounting Bolt for Rail			动负荷 Basic Dynamic Load Rating	静负荷 Basic Static Load Rating	容许静力矩 Static Rated Moment			重量 Weight									
	H	H1	N	W	B	B1	C	L1	L	K1	K2	G	M	T	T1	H2	H3	WR	HR			D	h	d	P	E	(mm)	C(kN)	C0(kN)	MR	MP	MY	滑块 Block kg	滑轨 Rail kg/m
EGW 15SA	24	4.5	18.5	52	41	5.5	-	23.1	40.1	14.8	3.5	5.7	M5	5	7	5.5	6	15	12.5	6	4.5	3.5	60	20	M3x16	5.35	9.40	0.08	0.04	0.04	0.12	1.25		
EGW 15CA							26	39.8	56.8	10.15																	7.83	16.79	0.13	0.10	0.10	0.21		
EGW 20SA	28	6	19.5	59	49	5	-	29	50	18.75	4.15	12	M6	7	9	6	6	20	15.5	9.5	8.5	6	60	20	M5x16	7.23	12.74	0.13	0.06	0.06	0.19	2.08		
EGW 20CA							32	48.1	69.1	12.3																	10.31	21.13	0.22	0.16	0.16	0.32		
EGW 25SA	33	7	25	73	60	6.5	-	35.5	59.1	21.9	4.55	12	M8	7.5	10	8	8	23	18	11	9	7	60	20	M6x20	11.40	19.50	0.23	0.12	0.12	0.35	2.67		
EGW 25CA							35	59	82.6	16.15																	16.27	32.40	0.38	0.32	0.32	0.59		
EGW 30SA	42	10	31	90	72	9	-	41.5	69.5	26.75	6	12	M10	7	10	9	9	28	23	11	9	7	80	20	M6x25	16.42	28.10	0.40	0.21	0.21	0.62	4.35		
EGW 30CA							40	70.1	98.1	21.05																	23.70	47.46	0.68	0.55	0.55	1.04		
EGW35SA	48	11	33	100	82	9	-	45	75	28.5	7	12	M10	10	13	8.5	8.5	34	27.5	14	12	9	80	20	M8x25	22.66	37.38	0.56	0.31	0.31	0.84	6.14		
EGW35CA							50	78	108	20																	33.35	64.84	0.98	0.69	0.69	1.45		

Note : 1kgf=9.81N

